



ABSTUETZZYLINDER (HENGSTLER)  
OUTRIGGER CYLINDER (HENGSTLER)

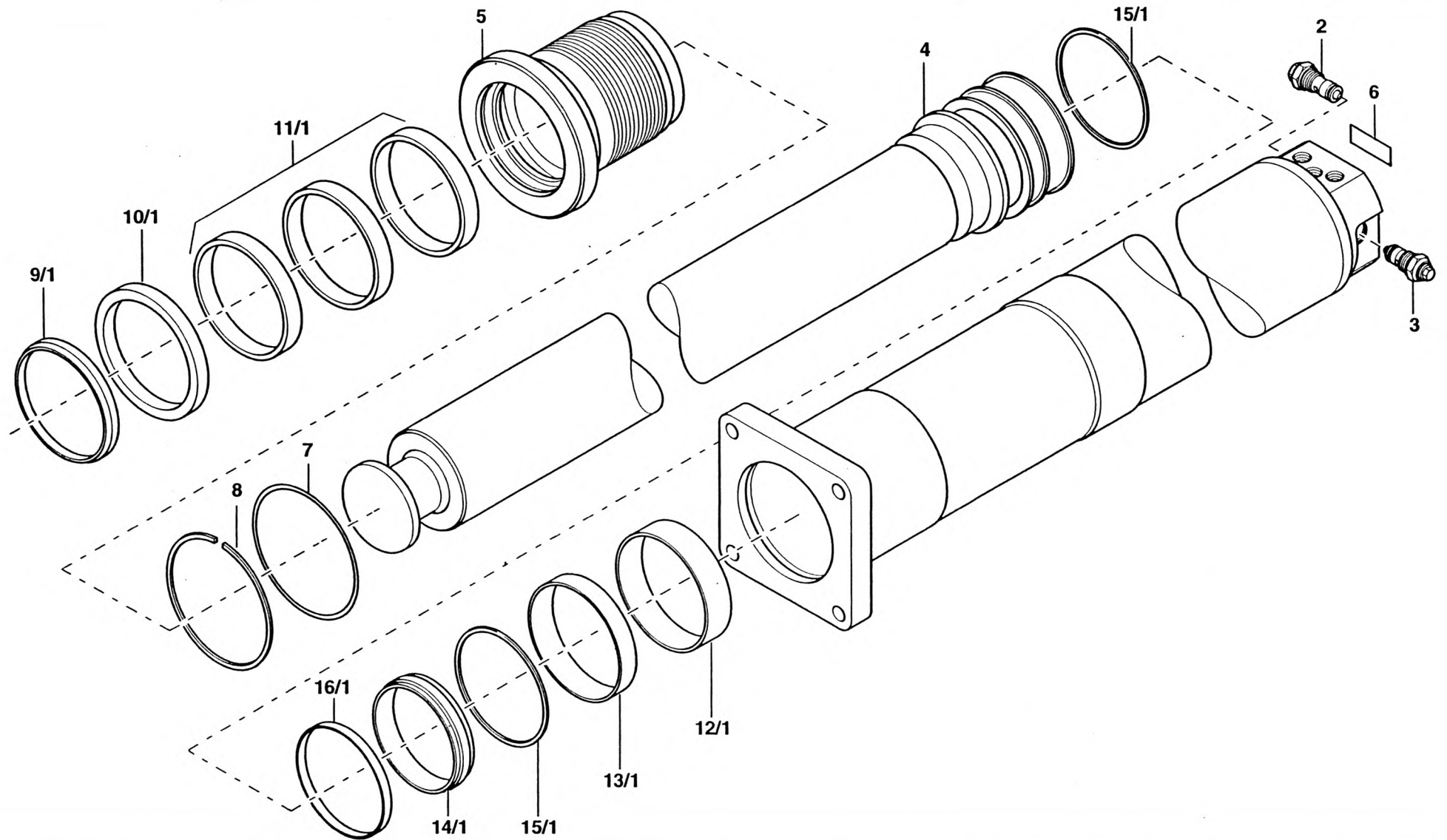
BILDТАФЕЛ  
PICTORIAL DISPLAY

GMK 3050  
BE 503  
G 781


06.97

2310659-ETL B

1/1



| POS.<br>POS. | TEILE-NR.<br>PART-NO. | MENGE<br>QUANTITY | BENENNUNG               | DESIGNATION             |                        |
|--------------|-----------------------|-------------------|-------------------------|-------------------------|------------------------|
| 001          | 2312307               | 1.0               | DICHTUNGSSATZ           | SET OF SEALS            |                        |
| 002          | 2310661-ETL           | 1.0               | DRUCKBEGRENZUNGSVENTIL  | PRESSURE LIMITING VALVE |                        |
| 003          | 2312308               | 1.0               | DOPPELRUECKSCHLAGVENTIL | DOUBLE NONRETURN VALVE  |                        |
| 004          | 3043746               | 1.0               | KOLBENSTANGE            | PISTON ROD              |                        |
| 005          | 3043193               | 1.0               | FUEHRUNGSKOPF           | GUIDE HEAD              |                        |
| 006          | 3043737               | 1.0               | DECKEL                  | COVER                   |                        |
| 007          | 3043748               | 1.0               | O-RING                  | O-RING                  |                        |
| 008          | 3043749               | 1.0               | SPRENGRING              | RETAINING DEVICE        |                        |
| 009          |                       | 1.0               | ABSTREIFER              | SCRAPER                 | (IN POS. 001 INCLUDED) |
| 010          |                       | 1.0               | STANGENDICHTUNG         | ROD SEAL                | (IN POS. 001 INCLUDED) |
| 011          |                       | 3.0               | FUEHRUNGSBAND           | GUIDE STRAP             | (IN POS. 001 INCLUDED) |
| 012          |                       | 1.0               | KOLBENDICHTUNG          | PISTON SEAL             | (IN POS. 001 INCLUDED) |
| 013          |                       | 1.0               | FUEHRUNGSBAND           | GUIDE STRAP             | (IN POS. 001 INCLUDED) |
| 014          |                       | 1.0               | FUEHRUNGSBAND           | GUIDE STRAP             | (IN POS. 001 INCLUDED) |
| 015          |                       | 1.0               | O-RING                  | O-RING                  | (IN POS. 001 INCLUDED) |
| 016          |                       | 1.0               | STUETZRING              | BACK-UP RING            | (IN POS. 001 INCLUDED) |

|   |                                |                     |               |          |        |
|---|--------------------------------|---------------------|---------------|----------|--------|
|  | ABSTUETZZYLINDER (HENGSTLER)   | ERSATZTEILLISTE     |               | GMK 3050 |        |
|   | OUTRIGGER CYLINDER (HENGSTLER) | LIST OF SPARE PARTS |               |          | BE 503 |
|   |                                | 06.97               | 2310659-ETL B | 1/1      | G 781  |